

1 to 26.5 GHz 20 Watts LT-DC Series 16dB Directional Coupler

Our Product Introduction

Basic Information

- Place of Origin: CHINA
- Brand Name: ZR Hi-Tech
- Model Number: LT-DC16-010265S
- Minimum Order Quantity: 1
- Packaging Details: carton packing
- Delivery Time: 4 weeks
- Payment Terms: T/T,D/A,D/P



LT-DC16-010265S

Product Specification

for more products please visit us on zrhitech.com

Product Description

1 to 26.5 GHz 16dB Directional Coupler

Quick Detail:

- 16dB Directional Coupler
- Directivity > 12 dB
- 1 to 26.5 GHz Frequency Range
- Lost VSWR < 1.6:1
- Coupling 16±1.0 dB
- Max Power 20 Watts(CW)
- CE, RoHS, REACH compliant
- 1 Year Warranty

Description:

The LT-DC16-010265S from ZR is a 16dB Directional Coupler that operates from 1 to 26.5 GHz and can handle up to 20 Watt (CW) with 12 dB directivity min and 1.6:1 VSWR max. The package interface uses SMA Female connectors and is REACH and RoHS compliant. More details for LT-DC16-010265S can be seen below.

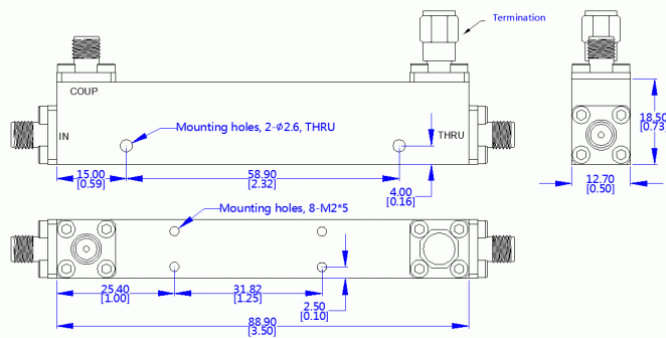
Specifications:

Electrical / Optical Characteristics (Ta=25°C±3°C)

Items	Specification	Conditions
Part Number	LT-DC16-010265S	
Frequency Range	1 to 26.5 GHz	
Coupling	16±1.0 dB	
Impedance	50 Ohms	
Main Line VSWR	1.6:1 Max.	
Coupling VSWR	1.6:1 Max.	
Insertion Loss	1.3 dB Max.	
Frequency Balance	1.8 dB Max.	
Directivity	12 dB Min.	
Input Power	20 W	
Connectors	SMA Female	
Weight	80 g	
Dimension	88.9x12.7x18.5 mm	

Note: for custom specs, please contact us directly.

Outline Drawing (Unit: mm):



 **ZRHITECH** Sichuan ZR Hi-Tech Ltd.



info@zrhitech.com



zrhitech.com

No.1411, Zhuye Building, 100 Xingping Road, Jinniu District, Chengdu, Sichuan Province, CHINA